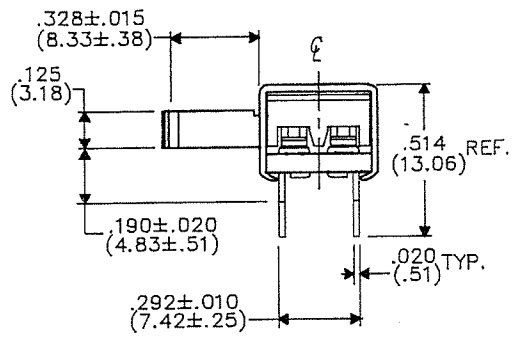
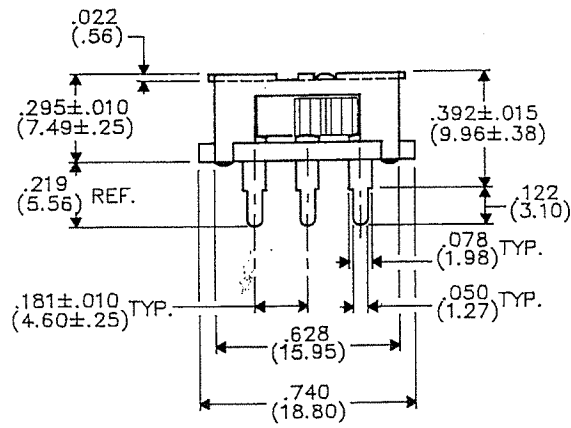
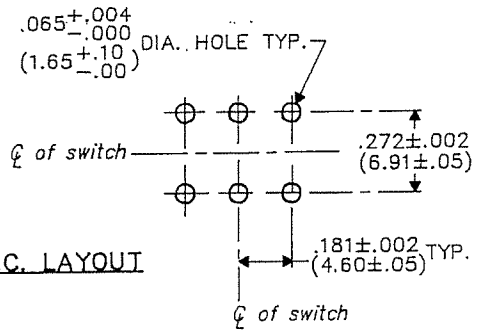
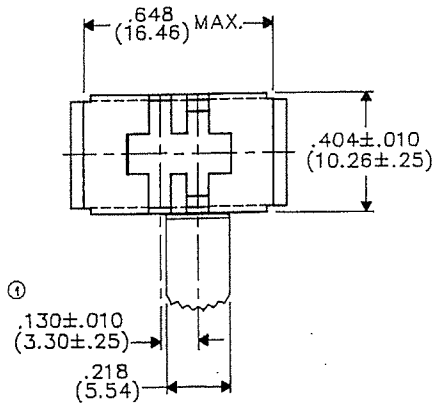


DIMENSIONS IN INCHES (MILLIMETERS)  
DO NOT SCALE DRAWING...

Drawing No  
**GI-152-0081**



B. FORM 6

REVISIONS	0
	1
	2
	3

RELEASED  
 DGW 8-20-93  
 REMOVED TRAVEL FROM  
 130 ± .010.  
 DGW 11-30-94  
 G.P.

**ATTENTION**  
 THIS DRAWING AND ITS ATTACHMENT, IF ANY, ARE PROPRIETARY TO CW INDUSTRIES AND DESCRIBE DESIGNS THAT ARE CONFIDENTIAL AND MUST NOT BE DISCLOSED UNLESS AUTHORIZED, IN WRITING, BY AN OFFICER OF CW INDUSTRIES.....

**CW INDUSTRIES**  
 Southampton, Pa. 18966

TOLERANCES UNLESS OTHERWISE SPECIFIED  
 2 Place decimal ±.010 METRIC  
 3 Place decimal ±.005 1 Place dec. ±.25 MM  
 Angles 1° 2 Place dec. ±.13 MM

Made for WINEGARD CU.  
 Drawn by: DGW 8-20-93  
 Checked by: G. GULL 8-27-93  
 Approval: SJK 8-27-93

Title	<b>SWDGET SYDEWINDER (D.P.- D.T.)</b>
Division	<b>SWITCH</b>
Drawing No	<b>GI-152-0081</b>